

FLOS

Almendra S3 Primer, Anthracite - Specification Sheet by Patricia Urquiola, 2022

Mounting	Ceiling Pendant
Lamp (Bulb) Description	LED 45W 4200lm 2700K CRI95
Environment	Indoor - Dry Location
Dimming	0-10V (120Vac or 277Vac) or ELV (120Vac Only) or Triac (120Vac Only)
Finish	Anthracite
Technical and Product Description	Almendra is a modular suspended lighting system providing diffused light emission, available in linear and organic leaf-like compositions.

Each lighting unit contains an integrated Edge Lighting technology and can rotate up to a 60° angle to change the direction of the light emitted.

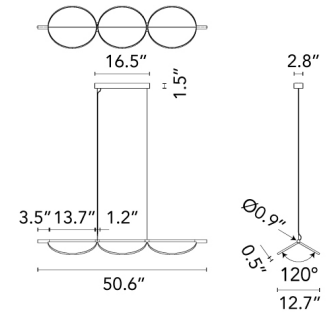
The product has been designed according to the International Sustainability and Carbon Certification (ISCC) standards. It is assembled without glued components so that it can be completely separated for easy recycling.

Almendra Linear: The linear module can be set to obtain multiple configurations with 3, 4 or 6 lights, which can be positioned downwards or upwards.



● FU039133 Anthracite

Dimensional Image



ALMENDRA S3

Electrical

Voltage	120
IP Rating	IP20

Physical

Construction Material	Sustainable Polycarbonate, Aluminum
Weight	15.7 lbs

Certifications



FLOS

Almendra S2 ARC Short Primer, Anthracite - Specification Sheet by Patricia Urquiola, 2022

Mounting	Ceiling Pendant
Lamp (Bulb) Description	LED 30W 2800lm 2700K CRI95
Environment	Indoor - Dry Location
Dimming	0-10V (120Vac or 277Vac) or ELV (120Vac Only) or Triac (120Vac Only)
Finish	Anthracite
Technical and Product Description	Almendra is a modular suspended lighting system providing diffused light emission, available in linear and organic leaf-like compositions.

Each lighting unit contains an integrated Edge Lighting technology and can rotate up to a 60° angle to change the direction of the light emitted.

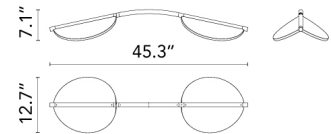
The product has been designed according to the International Sustainability and Carbon Certification (ISCC) standards. It is assembled without glued components so that it can be completely separated for easy recycling.

The curved module can be set to obtain multiple configurations with 2 lights, one on each end, which can be positioned downwards or upwards. Available in 2 lengths.



● FU039433 Anthracite

Dimensional Image



Electrical

Voltage	120
IP Rating	IP20

Physical

Construction Material	Sustainable Polycarbonate, Aluminum
Weight	12.9 lbs



ALMENDRA S2 ARC SHORT

Certifications



FLOS

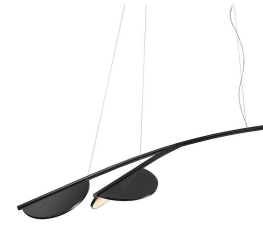
Almendra S2 Y Short Primer, Anthracite - Specification Sheet by Patricia Urquiola, 2022

Mounting	Ceiling Pendant
Lamp (Bulb) Description	LED 30W 2800lm 2700K CRI95
Environment	Indoor - Dry Location
Dimming	0-10V (120Vac or 277Vac) or ELV (120Vac Only) or Triac (120Vac Only)
Finish	Anthracite
Technical and Product Description	Almendra is a modular suspended lighting system providing diffused light emission, available in linear and organic leaf-like compositions.

Each lighting unit contains an integrated Edge Lighting technology and can rotate up to a 60° angle to change the direction of the light emitted.

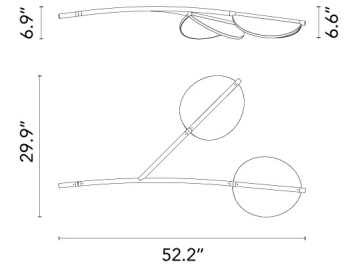
The product has been designed according to the International Sustainability and Carbon Certification (ISCC) standards. It is assembled without glued components so that it can be completely separated for easy recycling.

Almendra Organic: The curved module can be set to obtain multiple configurations with 2 or 3 lights in 2 lengths options, which can be positioned downwards or upwards.



● FU039633 Anthracite

Dimensional Image



ALMENDRA S2 Y SHORT

Electrical

Voltage	120
IP Rating	IP20

Physical

Construction Material	Sustainable Polycarbonate, Aluminum
Weight	18 lbs



Certifications

