



SNO-STAFF

M-SNO-ST-14080

M-SNO-ST-12080

DIMENSIONS

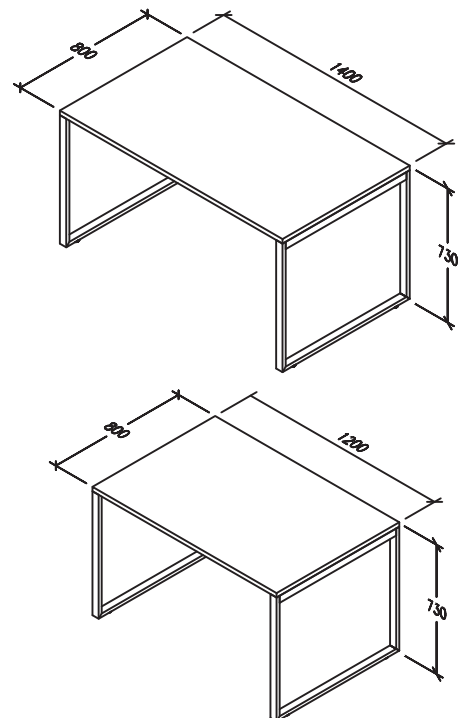
Width : 1400mm, 1200mm

Depth : 800mm

Height : 730mm

DETAILS

- Table top made of 24mm MDF with CPL lamination, PVC edging
- Support legs metal pipe square 40x20 powder coating finish



FIRM is a furniture brand by Malka.

Actual color may differ from printed color.

All specifications are subject to change without prior notice.

F I R M

malka

www.malka.co.id



SNO-MGR L

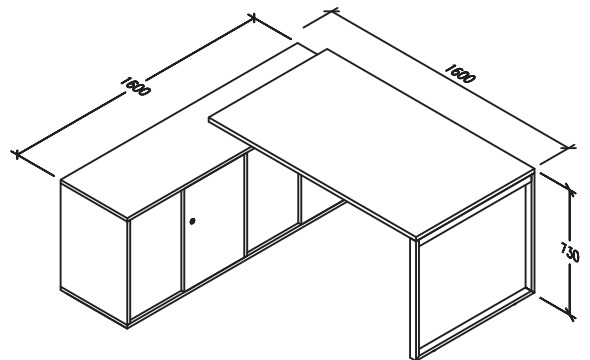
M-SNO-MGR L-160160

DIMENSIONS

Width : 1600mm
Depth : 1600mm
Height : 730mm

DETAILS

- Table top made of 24mm MDF with CPL lamination, PVC edging
- Support legs metal pipe square 40x20 powder coating finish
- Side Credenza made of 18mm MDF with CPL lamination, 2 sliding door, handle finger groove



FIRM is a furniture brand by Malka.

Actual color may differ from printed color.
All specifications are subject to change without prior notice.

F I R M

malka

www.malka.co.id



SNO-DIR L

M-SNO-DIR L-200205

DIMENSIONS

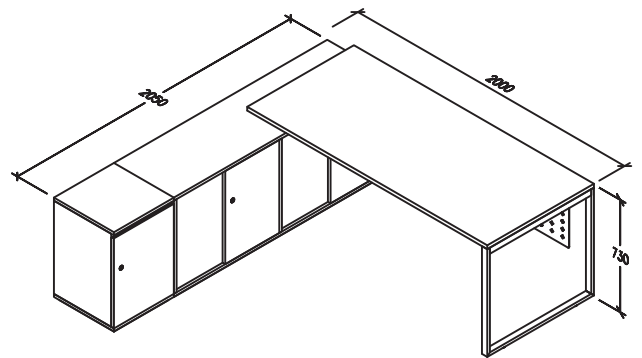
Width : 2000mm

Depth : 2050mm

Height : 730mm

DETAILS

- Table top made of 24mm MDF with CPL lamination, PVC edging
- Support legs metal pipe square 40x20 powder coating finish
- Side Credenza made of 18mm MDF with CPL lamination, 1 swing door & 2 sliding door, handle finger groove
- Modesty panel sheet metal perforated



FIRM is a furniture brand by Malka.

Actual color may differ from printed color.
All specifications are subject to change without prior notice.

F I R M

malka

www.malka.co.id



SNO-MEETING

M-SNO-MT-16080

DIMENSIONS

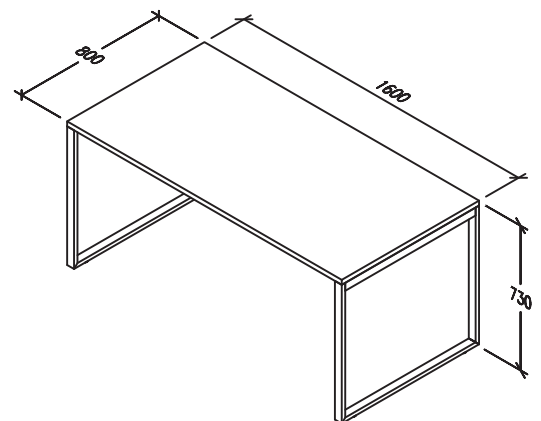
Width : 1600mm

Depth : 800mm

Height : 730mm

DETAILS

- Table top made of 24mm MDF with CPL lamination, PVC edging
- Support legs metal pipe square 40x20 powder coating finish



FIRM is a furniture brand by Malka.

Actual color may differ from printed color.
All specifications are subject to change without prior notice.

F I R M

malka

www.malka.co.id